



- Cw/w: 25PF TYP @ 100KHz, 200mV
- LL: 0.5μH Max @ 100KHz, 200mV
- DCR: 0.9Ω Max
- Operating Temp: -40°C to +85°C

**Electrical Specifications @ 25°C**

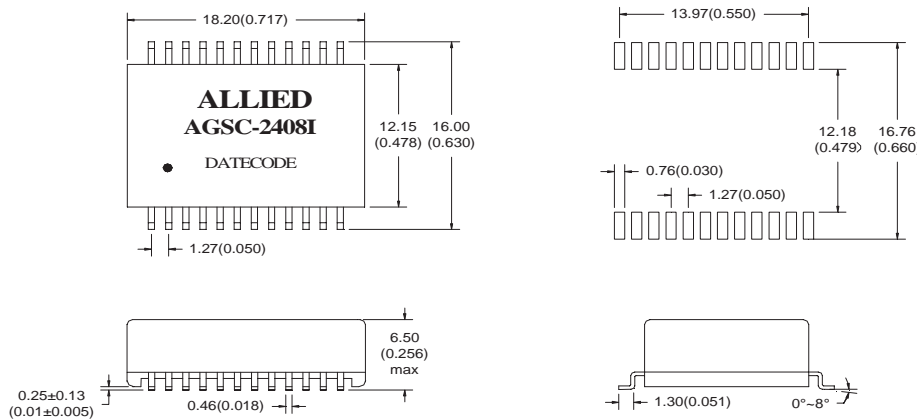
Part Number	OCL(μH Min) @ 100kHz, 200mV	Turns Ratio chip: cable (±5%)	Insertion Loss (dB Max)	Return Loss (dB Min)			
	With 8mA DC Bias			0.3-30MHz	40MHz	50MHz	60-80MHz
AGSC-2408I	350	1CT:1CT	-1.1	-18	-14.4	-13.1	-12

**Electrical Specifications @ 25°C**

Part Number	Common Mode Rejection (dB Min)			Cross Talk (dB Min)		Isolation HI-POT (Vrms)
	30MHz	60MHz	80-100MHz	0.3-30MHz	60-100MHz	
AGSC-2408I	-40	-35	-30	-35	-32	1500

All specifications subject to change without notice.

**MECHANICAL**



Dimensions: mm(inch)

Unless otherwise specified, all tolerances are ±0.25(0.010)

**SCHEMATICS**

